

Flag Type

STANDARD.

- UL STANDARD (FILE No.: E81260)
- CSA STANDARD (FILE No. : LR 76687)
- STANDARD PRODUCT (COLOR : CLEAR)

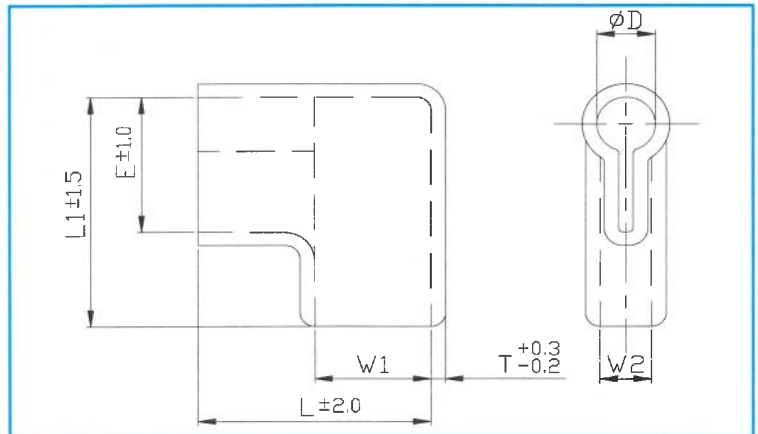
MATERIALS.

- NTT 108 (GENERAL)
- IM-104/No.4 (UL AND CSA)
- X-731TJ (NON-MIGRATION TO PS)
- EX-724 (HIGH TEMP)

Cat No. 3

UNIT : MM.

PART No.	W1	W2	ØD	L1	L2	T (General)	T (UL/CSA)	PACKING (PCS)
SH187 SERIES								
SH187-30-12.5	6.0	2.5	3.0	12.5	13.0	0.8	1.0	1,000
SH187-30-14	6.0	2.5	3.0	14.0	13.0	0.8	1.0	1,000
SH187-35-14	6.0	2.5	3.5	14.0	13.0	0.8	1.0	1,000
SH187-40-14	6.0	2.5	4.0	14.0	13.0	0.8	1.0	1,000
SH250 SERIES								
SH250-25-17	8.0	3.5	2.5	17.0	16.0	1.0	1.0	1,000
SH250-30-17	8.0	3.5	3.0	17.0	16.0	1.0	1.0	1,000
SH250-32-17	8.0	3.5	3.2	17.0	16.0	1.0	1.0	1,000
SH250-40-17	8.0	3.5	4.0	17.0	16.0	1.0	1.0	1,000
SH250-50-17	8.0	3.5	5.0	17.0	16.0	1.0	1.0	1,000
SH250-60-17	8.0	3.5	6.0	17.0	16.0	1.0	1.0	1,000



After Insert Flag Type

STANDARD.

- UL STANDARD (FILE No.: E81260)
- CSA STANDARD (FILE No. : LR 76687)
- STANDARD PRODUCT (COLOR : CLEAR)

MATERIALS.

- NTT 108 (GENERAL)
- IM-104/No.4 (UL AND CSA)
- X-731TJ (NON-MIGRATION TO PS)
- EX-724 (HIGH TEMP)

Cat No. 4

UNIT : MM.

PART No.	W1	W2	ØD	E	L1	L2	T (General)	T (UL/CSA)	PACKING (PCS)
SH187-KMZ-14	6.0	2.5	3.0	8.0	14.0	13.0	0.8	1.0	1,000
SH250-KMZ-17	8.0	3.5	4.0	10.0	17.0	16.0	1.0	1.0	1,000