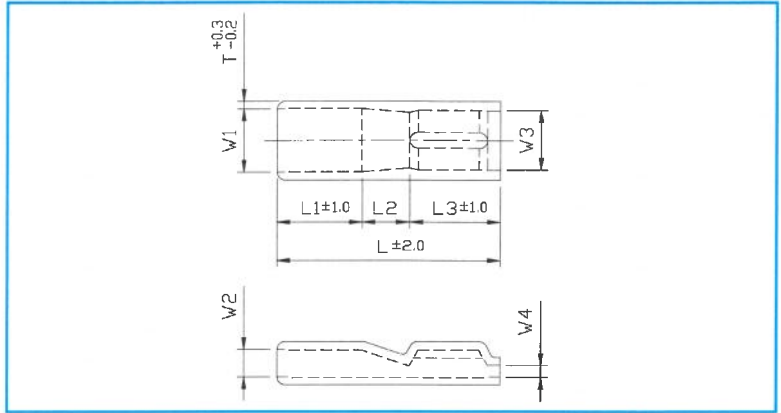
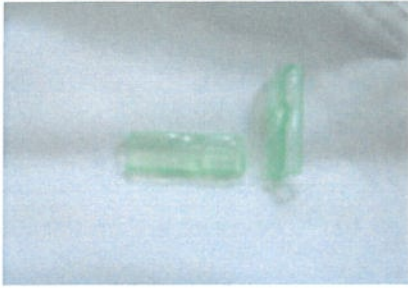


Terminal Sleeves

DIP MOLDING

ST- F Series



STANDARD.

- UL STANDARD (FILE No.: E81260)
- CSA STANDARD (FILE No. : LR 76687)
- STANDARD PRODUCT (COLOR : CLEAR)

MATERIALS.

- NTT 108 (GENERAL)
- IM-104/No.4 (UL AND CSA)
- X-731TJ (NON-MIGRATION TO PS)
- EX-724 (HIGH TEMP)

Cat No. 20

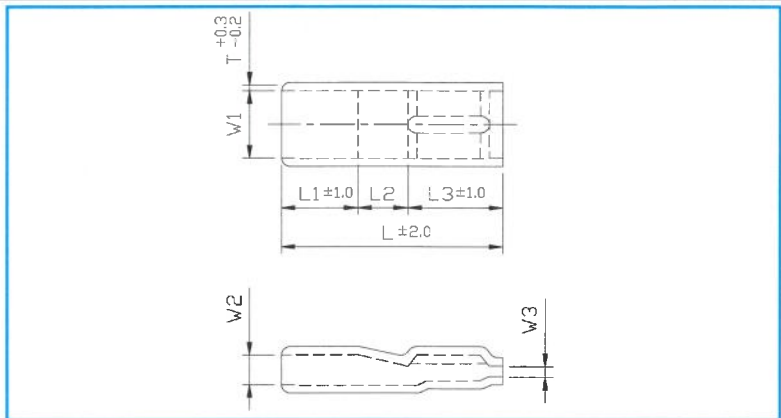
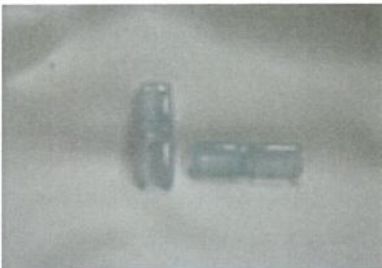
UNIT : MM.

PART No.	W1	W2	W3	W4	L	L1	L2	L3	T		PACKING (PCS)
									(GENERAL)	(UL/CSA)	
ST110-F	4.0	2.0	3.8	1.2	21.0	8.5	4.5	8.0	0.8	1.0	1,000
ST187-F	6.0	2.7	5.6	1.2	23.0	10.0	4.5	8.5	1.0	1.0	1,000
ST250-F	8.0	3.5	7.5	1.5	26.0	11.5	4.5	10.0	1.0	1.0	1,000

Terminal Sleeves

DIP MOLDING

ST- ES Series



STANDARD.

- UL STANDARD (FILE No.: E81260)
- CSA STANDARD (FILE No. : LR 76687)
- STANDARD PRODUCT (COLOR : CLEAR)

MATERIALS.

- NTT 108 (GENERAL)
- IM-104/No.4 (UL AND CSA)
- X-731TJ (NON-MIGRATION TO PS)
- EX-724 (HIGH TEMP)

Cat No. 20

PART No.	W1	W2	W3	L	L1	L2	L3	T		PACKING (PCS)
								(GENERAL)	(UL/CSA)	
ST110-ES	4.0	2.3	1.0	21.0	8.0	4.0	9.0	0.8	1.0	1,000
ST187-ES	6.0	2.7	1.1	21.0	8.0	4.0	9.0	1.0	1.0	1,000
ST250-ES	8.0	3.5	1.2	24.5	8.0	6.0	10.5	1.0	1.0	1,000

NISSEI TRADING (THAILAND) CO.,LTD.

Address : 33/39 Moo 2 Pimpavas-Saenpudas Rd.,(Bangna-Trad K.M. 35.5),Bangpakong,Chachoengsao. 24180 Thailand.

Web site : www.nissei.co.th , Contact : sale@nissei.co.th , Tel : 038-522000-09 , Fax : 038-522390-1