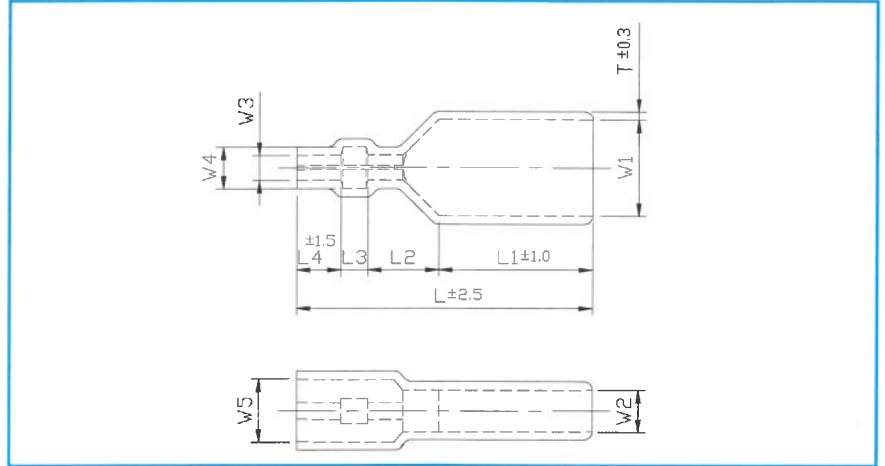


Terminal Sleeves

DIP MOLDING

FT250-YD



STANDARD

- UL STANDARD (FILE No.: E81260)
- CSA STANDARD (FILE No. : LR 76687)
- STANDARD PRODUCT (COLOR : CLEAR)

MATERIALS.

- NTT 108 (GENERAL)
- IM-104/No.4 (UL AND CSA)
- X-731TJ (NON-MIGRATION TO PS)

Cat No. -

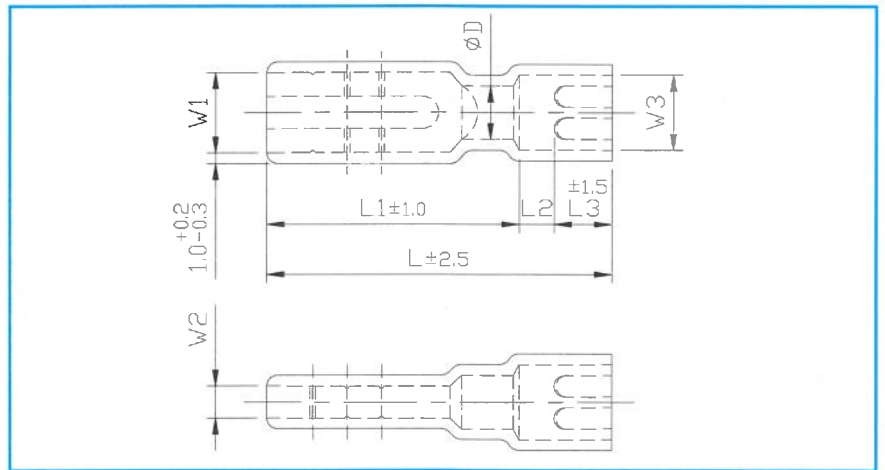
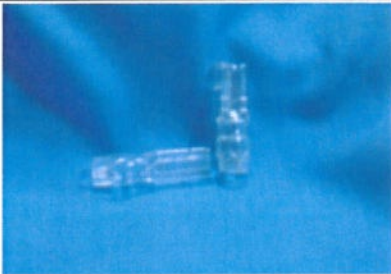
UNIT : MM.

PART No.	W1	W2	W3	W4	W5	L	L1	L2	L3	L4	T	PACKING (PCS)
FT250-YD	11.5	5.0	3.0	5.0	7.5	34.0	17.0	9.0	3.0	5.0	1.0	500

Terminal Sleeves

DIP MOLDING

FT250-YD



STANDARD

- UL STANDARD (FILE No.: E81260)
- CSA STANDARD (FILE No. : LR 76687)
- STANDARD PRODUCT (COLOR : CLEAR)

MATERIALS.

- NTT 108 (GENERAL)
- IM-104/No.4 (UL AND CSA)
- X-731TJ (NON-MIGRATION TO PS)

Cat No. -

PART No.	ϕD	W1	W2	W3	L	L1	L2	L3	T	PACKING (PCS)
YD-250K	5.0	7.5	3.0	7.0	30.0	22.0	3.0	5.0	1.0	500