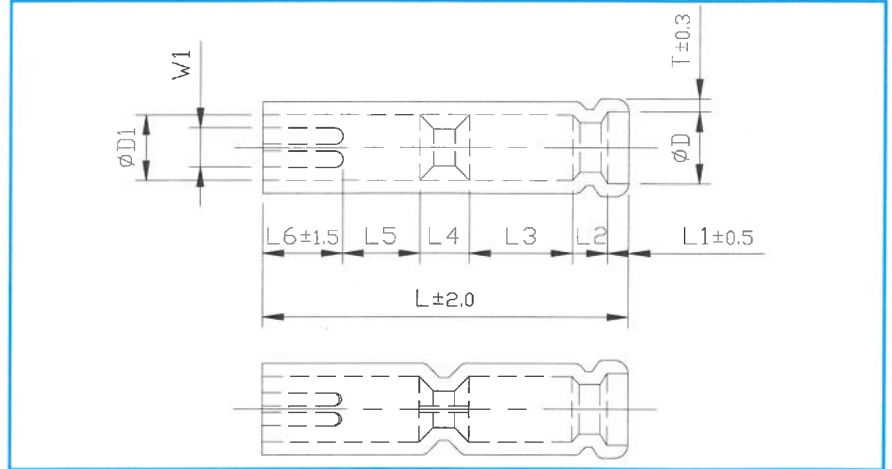


Terminal Sleeves

DIP MOLDING

YCB



STANDARD

- UL STANDARD (FILE No.: E81260)
- CSA STANDARD (FILE No. : LR 76687)
- STANDARD PRODUCT (COLOR : CLEAR)

MATERIALS.

- NTT 108 (GENERAL)
- IM-104/No.4 (UL AND CSA)
- X-731TJ (NON-MIGRATION TO PS)

Cat No. -

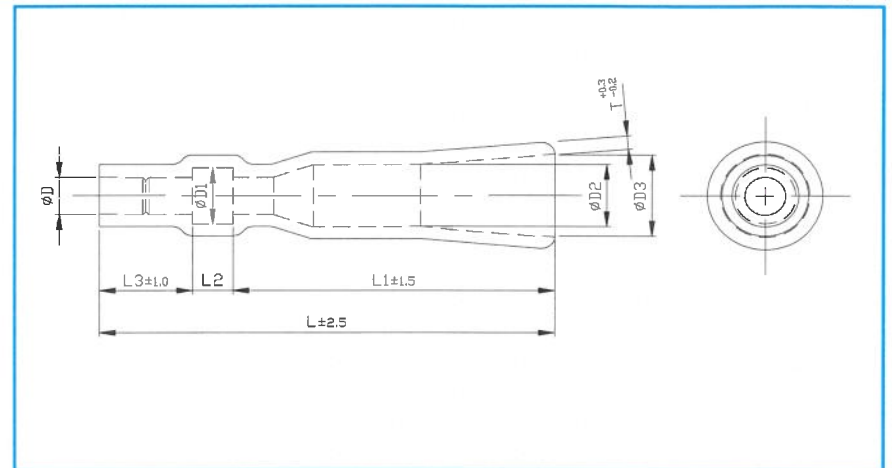
UNIT : MM.

PART No.	W1	øD	øD1	L	L1	L2	L3	L4	L5	L6	T	PACKING (PCS)
YCB-03	3.5	5.5	5.0	26.0	1.5	2.5	7.3	3.5	5.5	5.7	1.0	500

Terminal Sleeves

DIP MOLDING

SSB



STANDARD

- UL STANDARD (FILE No.: E81260)
- CSA STANDARD (FILE No. : LR 76687)
- STANDARD PRODUCT (COLOR : CLEAR)

MATERIALS.

- NTT 108 (GENERAL)
- IM-104/No.4 (UL AND CSA)
- X-731TJ (NON-MIGRATION TO PS)

Cat No. -

PART No.	øD	øD1	øD2	øD3	L	L1	L2	L3	T	PACKING (PCS)
SSB-30-34	3.0	4.5	5.0	6.7	34.0	7.0	3.0	24.0	1.0	1,000