



STANDARD.

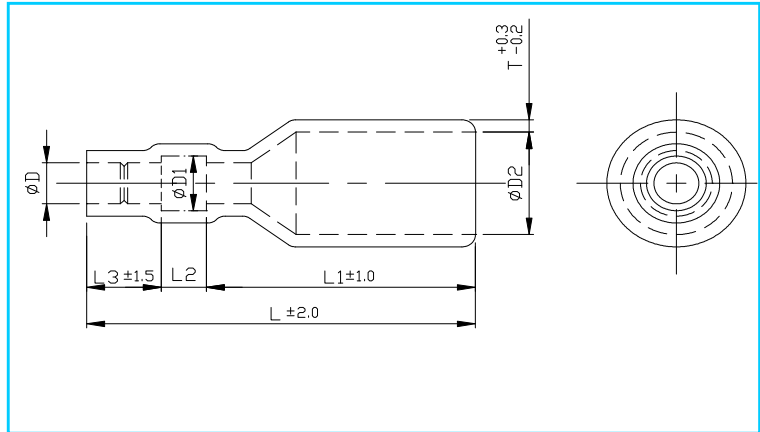
- UL STANDARD (FILE No.: E81260)
- CSA STANDARD (FILE No. : LR 76687)
- STANDARD PRODUCT (COLOR : CLEAR)

MATERIALS.

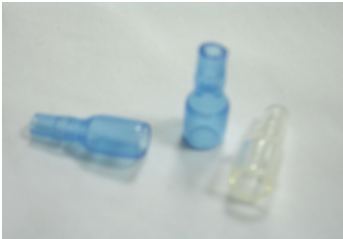
- NTT 108 (GENERAL)
- IM-104/No.4 (UL AND CSA)
- X-731TJ (NON-MIGRATION TO PS)

Cat No. 2B

UNIT : MM.



PART No.	ØD	ØD1	ØD2	L	L1	L2	L3	T (General)	T (UL/CSA)	PACKING (PCS)
DA2-25-26	2.5	4.2	7.5	26.0	18.0	3.0	5.0	0.9	1.0	1,000
DA2-28-26	2.8	4.2	7.5	26.0	18.0	3.0	5.0	0.9	1.0	1,000
DA2-30-26	3.0	4.2	7.5	26.0	18.0	3.0	5.0	0.9	1.0	1,000
DA2-35-28	3.5	4.2	7.5	26.0	18.0	3.0	5.0	0.9	1.0	1,000

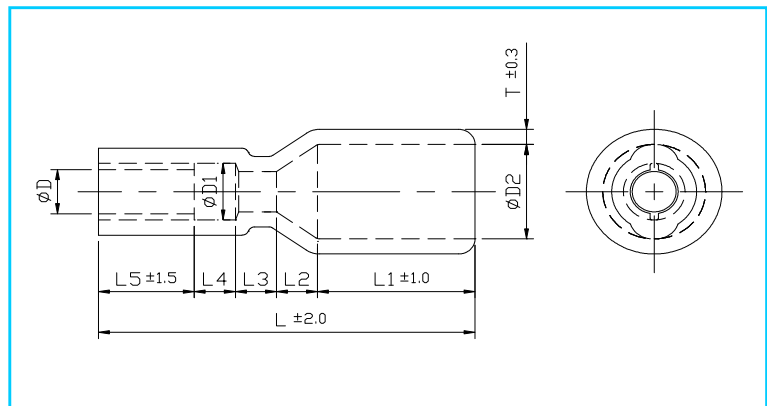


STANDARD.

- STANDARD PRODUCT (COLOR : CLEAR)

MATERIALS.

- NTT 108 (GENERAL)
- X-731TJ (NON-MIGRATION TO PS)



UNIT : MM.

PART No	ØD	ØD1	ØD2	L	L1	L2	L3	L4	L5	T	PACKING (PCS)
DA-4	3.5	4.5	7.5	27.5	11.5	3.0	3.0	3.0	7.0	1.2	500