

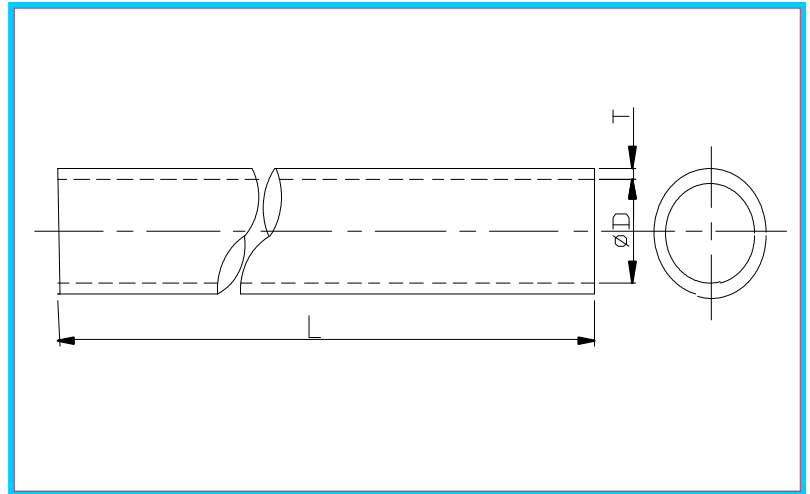


**NISSEI TRADING
(THAILAND) CO., LTD.**

บริษัท นิซเซอิ ทรดดิ้ง (ไทยแลนด์) จำกัด

TUBE

NG
TO.
จำกัด



STANDARD.

● STAND PRODUCT (JIS K 2410)

MATERIALS.

● POLYVINYL CHORIDE

COLORS.

● C = CLEAR, B = BLACK, L = BLUE, G = GRAY, R = RED, W = WHITE, Y = YELLOW

UNIT : MM.

PART No. (NISSEI TUBE GENERAL, BLACK)	ØD1	TOLERANCE	T	TOLRERANCE	PACKING (M)
NTGFB-030T050	3.0	±0.2	0.5	+0.1/-0.08	300
NTGFB-035T050	3.5	±0.2	0.5	+0.1/-0.08	300
NTGFB-040T050	4.0	+0.3/-0.2	0.5	+0.1/-0.08	300
NTGFB-045T050	4.5	+0.3/-0.2	0.5	+0.1/-0.08	300
NTGFB-050T050	5.0	+0.3/-0.2	0.5	+0.1/-0.08	300
NTGFB-055T050	5.5	+0.4/-0.2	0.5	+0.1/-0.08	300
NTGFB-060T050	6.0	+0.4/-0.2	0.5	+0.1/-0.08	300
NTGFB-070T050	7.0	+0.4/-0.2	0.5	+0.1/-0.08	300
NTGFB-075T050	7.5	+0.4/-0.2	0.5	+0.1/-0.08	300
NTGFB-080T050	8.0	+0.4/-0.2	0.5	+0.1/-0.08	200
NTGFB-090T050	9.0	+0.4/-0.2	0.5	+0.1/-0.08	200
NTGFB-100T050	10.0	+0.4/-0.2	0.5	+0.1/-0.08	200
NTGFB-110T050	11.0	+0.5/-0.3	0.5	+0.1/-0.08	200
NTGFB-120T050	12.0	+0.5/-0.3	0.5	+0.1/-0.08	200
NTGFB-130T050	13.0	+0.5/-0.3	0.5	+0.1/-0.08	100
NTGFB-140T050	14.0	+0.5/-0.3	0.5	+0.1/-0.08	100
NTGFB-150T050	15.0	+0.5/-0.3	0.5	+0.1/-0.08	100
NTGFB-160T060	16.0	+1.0/-0.5	0.6	±0.1	100
NTGFB-180T060	18.0	+1.0/-0.5	0.6	±0.1	100
NTGFB-200T080	20.0	+1.0/-0.5	0.8	±0.1	50

REMARK :

N T 2 3 4 — 5 6 7 T 8 9 10

N : NISSEI TRADING (THAILAND) CO.,LTD
 T : NISSEI TUBE
 2 : TYPE G : GENERAL
 3 : GRADE MATTERIAL ***
 4 : COLOUR(EX. B = BLACK)
 5,6,7 : Ø (EX. Ø 3.5 = 035)
 8,9,10 : THICKNESS (EX.T 0.5 = 050)

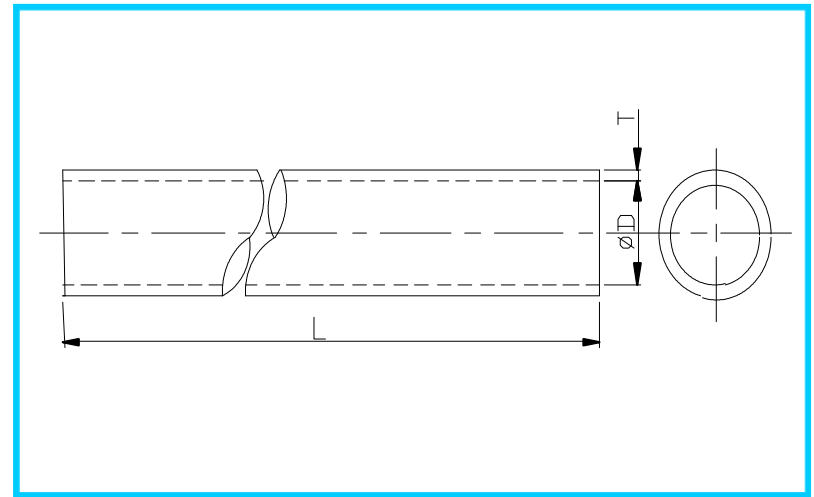
*** GRADE MATTERIAL

ALPHABET	MATTERIAL	TEMPERATURE
E	NTT-1005	80°C
F	NTT-1006	80°C
G	NTT-1007	80°C
J	NTT-1010	-40°C
M	NTT-1013	-40°C

NISSEI TRADING (THAILAND) CO.,LTD.

Address : 33/39 Moo 2 Pimpavas-Saenpudas Rd.,(Bangna-Trad K.M. 35.5),Bangpakong,Chachoengsao. 24180 Thailand.

Web site : www.nissei.co.th , Contact : sale@nissei.co.th , Tel : 038-522000-09 , Fax : 038-522390-1



STANDARD.

- STAND PRODUCT (JIS K 2410)

MATERIALS.

- POLYVINYL CHORIDE

COLORS.

- C = CLEAR, B = BLACK, L = BLUE, G = GRAY, R = RED, W = WHITE, Y = YELLOW

UNIT : MM.

PART No. (NISSEI TUBE IHT 105, BLACK)	ØD1	TOLERANCE	T	TOLERANCE	PACKING (M)
NTIAB-030T050	3.0	±0.2	0.5	+0.1/-0.08	300
NTIBB-035T050	3.5	±0.2	0.5	+0.1/-0.08	300
NTIAB-040T050	4.0	+0.3/0.2	0.5	+0.1/-0.08	300
NTIAB-045T050	4.5	+0.3/0.2	0.5	+0.1/-0.08	300
NTIAB-050T050	5.0	+0.3/0.2	0.5	+0.1/-0.08	300
NTIAB-055T050	5.5	+0.4/-0.2	0.5	+0.1/-0.08	300
NTIAB-060T050	6.0	+0.4/-0.2	0.5	+0.1/-0.08	300
NTIAB-070T050	7.0	+0.4/-0.2	0.5	+0.1/-0.08	300
NTIAB-075T050	7.5	+0.4/-0.2	0.5	+0.1/-0.08	300
NTIAB-080T050	8.0	+0.4/-0.2	0.5	+0.1/-0.08	200
NTIAB-090T050	9.0	+0.4/-0.2	0.5	+0.1/-0.08	200
NTIAB-100T060	10.0	+0.4/-0.2	0.6	+0.1/-0.08	200
NTIAB-110T060	11.0	+0.5/-0.3	0.6	+0.1/-0.08	200
NTIAB-120T060	12.0	+0.5/-0.3	0.6	+0.1/-0.08	200
NTIAB-130T060	13.0	+0.5/-0.3	0.6	+0.1/-0.08	200
NTIAB-140T060	14.0	+0.5/-0.3	0.6	+0.1/-0.08	100
NTIAB-150T060	15.0	+0.5/-0.3	0.6	+0.1/-0.08	100
NTIAB-160T060	16.0	+1.0/-0.5	0.6	±0.1	100
NTIAB-180T080	18.0	+1.0/-0.5	0.8	±0.1	50
NTIAB-200T080	20.0	+1.0/-0.5	0.8	±0.1	50

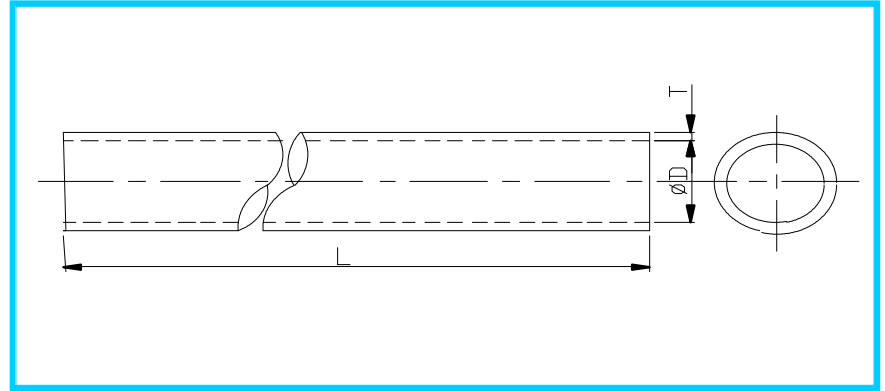
REMARK :

N T 2 3 4 — 5 6 7 T 8 9 10

- N : NISSEI TRADING (THAILAND) CO.,LTD
- T : NISSEI TUBE
- 2 : TYPE 1: IHT 105°C
- 3 : A - z GRADE MATERIAL ***
- 4 : COLOUR(EX. B = BLACK)
- 5,6,7 : Ø (EX. Ø 3.5 = 035)
- 8,9,10 : THICKNESS (EX.T 0.5 = 050)

*** GRADE MATTERIAL

ALPHABET	MATTERIAL	TYPE
A	NTT-1101	105 °C
C	NTT-1103	105°C



STANDARD

- UL224 105°C 300V/600V VW-1
- CAN/CSA C22.2 No. 198.1-06
- UL Approved File No. : E325278
- Marking us

MATERIALS

- POLYVINYL CHORIDE

COLORS

- C = CLEAR, B = BLACK, G = GRAY, W = WHITE

UNIT : mm

SIZE	Voltage Rating	PART No.	ØD		T	
			Diameter	Tolerance	Thickness	Tolerance
AWG 12	300V	NTUL3B-021T033	2.1	±0.25	0.33	+0.1/-0.00
	600V	NTUL6B-021T056	2.1	±0.25	0.56	+0.1/-0.00
AWG 11	300V	NTUL3B-024T033	2.4	±0.25	0.33	+0.1/-0.00
	600V	NTUL6B-024T056	2.4	±0.25	0.56	+0.1/-0.00
AWG 10	300V	NTUL3B-026T044	2.6	±0.25	0.44	+0.1/-0.00
	600V	NTUL6B-026T056	2.6	±0.25	0.56	+0.1/-0.00
AWG 9	300V	NTUL3B-030T044	3.0	±0.25	0.44	+0.1/-0.00
	600V	NTUL6B-030T056	3.0	±0.25	0.56	+0.1/-0.00
AWG 8	300V	NTUL3B-033T044	3.3	±0.25	0.44	+0.1/-0.00
	600V	NTUL6B-033T056	3.3	±0.25	0.56	+0.1/-0.00
AWG 7	300V	NTUL3B-037T044	3.7	±0.25	0.44	+0.1/-0.00
	600V	NTUL6B-037T056	3.7	±0.25	0.56	+0.1/-0.00
AWG 6	300V	NTUL3B-042T044	4.2	±0.30	0.44	+0.1/-0.00
	600V	NTUL6B-042T056	4.2	±0.30	0.56	+0.1/-0.00
AWG 5	300V	NTUL3B-047T044	4.7	±0.30	0.44	+0.1/-0.00
	600V	NTUL6B-047T056	4.7	±0.30	0.56	+0.1/-0.00
AWG 4	300V	NTUL3B-053T044	5.3	±0.30	0.44	+0.1/-0.00
	600V	NTUL6B-053T056	5.3	±0.30	0.56	+0.1/-0.00
AWG 3	300V	NTUL3B-059T044	5.9	±0.30	0.44	+0.1/-0.00
	600V	NTUL6B-059T056	5.9	±0.30	0.56	+0.1/-0.00
AWG 2	300V	NTUL3B-066T044	6.6	±0.30	0.44	+0.1/-0.00
	600V	NTUL6B-066T056	6.6	±0.30	0.56	+0.1/-0.00
AWG 1	300V	NTUL3B-074T044	7.4	±0.35	0.44	+0.1/-0.00
	600V	NTUL6B-074T056	7.4	±0.35	0.56	+0.1/-0.00
AWG 0	300V	NTUL3B-083T056	8.3	±0.35	0.56	+0.1/-0.00
	600V	NTUL6B-083T056	8.3	±0.35	0.56	+0.1/-0.00
5/16 "	300V	NTUL3B-079T044	7.9	±0.35	0.44	+0.1/-0.00
	600V	NTUL6B-079T056	7.9	±0.35	0.56	+0.1/-0.00
6/16 "	600V	NTUL6B-095T056	9.5	±0.35	0.56	+0.1/-0.00
7/16 "	600V	NTUL6B-111T056	11.1	±0.35	0.56	+0.1/-0.00
8/16 "	600V	NTUL6B-127T069	12.7	±0.35	0.69	+0.1/-0.00
9/16 "	600V	NTUL6B-143T069	14.3	±0.40	0.69	+0.1/-0.00
10/16 "	600V	NTUL6B-159T077	15.9	±0.40	0.77	+0.1/-0.00
	600V	NTUL6B-191T077	19.1	±0.40	0.77	+0.1/-0.00
14/16 "	600V	NTUL6B-222T077	22.2	+0.7/-0.5	0.77	+0.1/-0.00

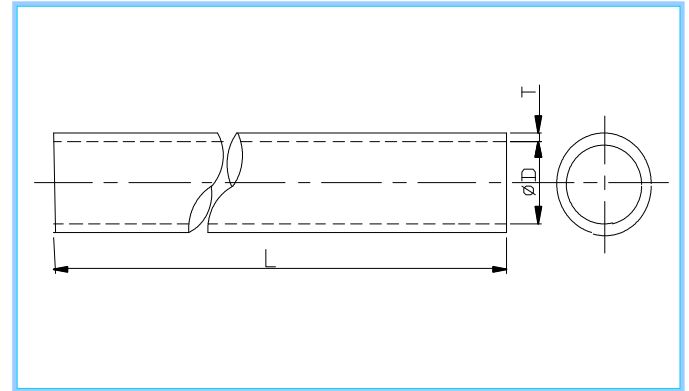
REMARK : Reference to standard UL224 Edition 6th Mar. 06, 2006

N T 2 3 4 — 5 6 7 T 8 9 10

- N : NISSEI TRADING (THAILAND) CO.,LTD
- T : NISSEI TUBE
- 2 : UL = Certified Tube by UL
- 3 : 3 = 300V,6 = 600V
- 4 : COLOUR(e.g. B = BLACK)
- 5,6,7 : Ø (EX. Ø 3.5 = 035)
- 8,9,10 : THICKNESS (EX.T 0.5 = 050)

GRADE MATTERIAL

MATERIAL	TYPE	Colour
NTT-1901	105 °C	Clear
NTT-1902	105 °C	All colour except clear



STANDARD.

- IUL STANDARD (FILE NO. : E-199505-T)

MATERIALS.

- POLYVINYL CHORIDE

COLORS.

- C = CLEAR, B = BLACK, L = BLUE, G = GRAY, R = RED, W = WHITE, Y = YELLOW

UNIT : MM.

UNIT : MM.

PART No.	ØD1	TOLERANCE	T	TOLERANCE	PACKING (M)	PART No.	ØD1	TOLERANCE	T	TOLERANCE	PACKING (M)
NTRAB-030T050	3.0	±0.20	0.50	+0.1/-0.08	300	NTRAB-030T100	3.0	±0.20	1.00	±0.15	300
NTRAB-040T050	4.0	+0.3/0.2	0.50	+0.1/-0.08	300	NTRAB-040T100	4.0	+0.3/0.2	1.00	±0.15	300
NTRAB-050T050	5.0	+0.3/0.2	0.50	+0.1/-0.08	300	NTRAB-050T100	5.0	+0.3/0.2	1.00	±0.15	300
NTRAB-060T050	6.0	+0.4/-0.2	0.50	+0.1/-0.08	300	NTRAB-060T100	6.0	+0.4/-0.2	1.00	±0.15	300
NTRAB-070T050	7.0	+0.4/-0.2	0.50	+0.1/-0.08	300	NTRAB-070T100	7.0	+0.4/-0.2	1.00	±0.15	200
NTRAB-080T050	8.0	+0.4/-0.2	0.50	+0.1/-0.08	200	NTRAB-080T100	8.0	+0.4/-0.2	1.00	±0.15	200
NTRAB-090T050	9.0	+0.4/-0.2	0.50	+0.1/-0.08	200	NTRAB-090T100	9.0	+0.4/-0.2	1.00	±0.15	200
NTRAB-100T050	10.0	+0.4/-0.2	0.50	+0.1/-0.08	200	NTRAB-100T100	10.0	+0.4/-0.2	1.00	±0.15	100
NTRAB-110T050	11.0	+0.5/-0.3	0.50	+0.1/-0.08	200	NTRAB-110T100	11.0	+0.5/-0.3	1.00	±0.15	100
NTRAB-120T050	12.0	+0.5/-0.3	0.50	+0.1/-0.08	200	NTRAB-120T100	12.0	+0.5/-0.3	1.00	±0.15	100
NTRAB-130T050	13.0	+0.5/-0.3	0.50	+0.1/-0.08	200	NTRAB-130T100	13.0	+0.5/-0.3	1.00	±0.15	100
NTRAB-140T050	14.0	+0.5/-0.3	0.50	+0.1/-0.08	100	NTRAB-140T100	14.0	+0.5/-0.3	1.00	±0.15	100
NTRAB-150T050	15.0	+0.5/-0.3	0.50	+0.1/-0.08	100	NTRAB-150T100	15.0	+0.5/-0.3	1.00	±0.15	50
NTRAB-160T050	16.0	+1.0/-0.35	0.50	+0.1/-0.08	100	NTRAB-160T100	16.0	+1.0/-0.35	1.00	±0.15	50
NTRAB-180T050	18.0	+1.0/-0.35	0.50	+0.1/-0.08	50	NTRAB-180T100	18.0	+1.0/-0.35	1.00	±0.15	50
NTRAB-200T050	20.0	+1.0/-0.35	0.50	+0.1/-0.08	50	NTRAB-200T100	20.0	+1.0/-0.35	1.00	±0.15	50

REMARK :

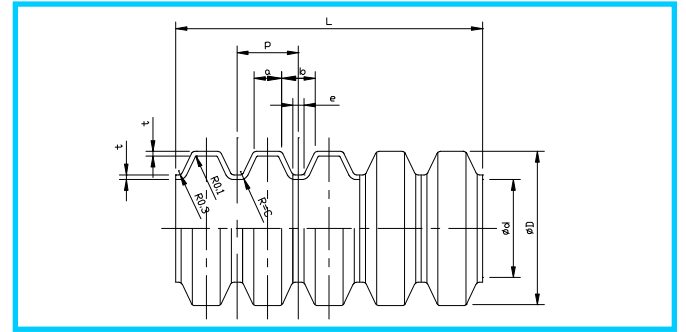
N T 2 3 4 — 5 6 7 T 8 9 10

- N : NISSEI TRADING (THAILAND) CO.,LTD
- T : NISSEI TUBE
- 2 : R = ANTI-RAT
- 3 : GRADE MATERIAL
- 4 : COLOUR (EX. B = BLACK)
- 5,6,7 : Ø (EX. Ø 3.0 = 030)
- 8,9,10 : THICKNESS (EX.T 0.5 = 050)
THICKNESS (EX.T 1.0 = 100)

GRADE MATTERIAL

ALPHABET	MATTERIAL	TYPE
A	NTT-1101 AR	105 °C

NISSEI CORRUGATE TUBE



MATERIALS SPECIFICATION :

- 1. PP FOR GENERAL (NTT-4001)
- 2. PP FOR FLAMABILITY (NTT-4101)

COLOUR :

- 1. STANDARD BLACK COLOUR
- 2. COLOURS ARE MAKING TO ORDER

TOLERANCE

- 1. DAIMETER TOLERANCE (Ø 5 - Ø 13±0.3, Ø 15 - Ø 28±0.)
- 2. GENERAL TOLERANCE ±0.1

DIMENSION :

UNIT : MM.

SIZE	PART NO.		SLIT	Ø d	Ø D	p	a	t	b	c	e	L (M) / CARTON
	FLAME RETARDANT	GENERAL										
5	NCOT-FB005	NCOT-GB005	NO	5.60	7.60	2.30	0.90	0.25	1.40	0.65	0.60	1,500
	NCOT-FB105	NCOT-GB105	YES									
7	NCOT-FB007	NCOT-GB007	NO	7.30	10.20	2.70	1.50	0.25	1.20	0.65	0.60	1,000
	NCOT-FB107	NCOT-GB107	YES									
10	NCOT-FB010	NCOT-GB010	NO	10.70	14.10	2.70	1.50	0.25	1.20	0.65	0.60	500
	NCOT-FB110	NCOT-GB110	YES									
13	NCOT-FB013	NCOT-GB013	NO	13.20	17.50	3.50	2.20	0.25	1.30	0.70	0.70	350
	NCOT-FB113	NCOT-GB113	YES									
15	NCOT-FB015	NCOT-GB015	NO	15.30	19.50	3.60	2.00	0.25	1.60	0.70	0.80	300
	NCOT-FB115	NCOT-GB115	YES									
19	NCOT-FB019	NCOT-GB019	NO	19.30	23.80	3.60	2.00	0.25	1.60	0.70	0.80	200
	NCOT-FB119	NCOT-GB119	YES									
22	NCOT-FB022	NCOT-GB022	NO	22.30	27.10	4.30	2.40	0.30	1.90	0.70	1.00	140
	NCOT-FB122	NCOT-GB122	YES									
25	NCOT-FB025	NCOT-GB025	NO	25.40	30.20	4.30	2.40	0.35	1.90	0.75	1.00	120
	NCOT-FB125	NCOT-GB125	YES									
28	NCOT-FB028	NCOT-GB028	NO	28.50	34.20	4.40	2.40	0.35	2.00	0.75	1.40	100
	NCOT-FB128	NCOT-GB128	YES									

REMARK :

CARTON SIZE : 800X265X800 MM.

N	COT	—	1	2	3	4,5
---	-----	---	---	---	---	-----

- N : NISSEI TRADING (THAILAND) CO.,LTD
- COT : CORRUGATE TUBE
- 1 : TYPE CORRUGATE TUBE (F : FLAME RETARDANT, G : GENERAL, N : NYLON, P :PE, A : ANTI-RAT)
- 2 : COLOUR (EX. B = BLACK)
- 3 : CHARACTERISTIC (1 : SLIT, 0 : NON SLIT)
- 4,5 : SIZE

NISSEI TRADING (THAILAND) CO.,LTD.

Address : 33/39 Moo 2 Pimpavas-Saenpudas Rd.,(Bangna-Trad K.M. 35.5),Bangpakong,Chachoengsao. 24180 Thailand.

Web site : www.nissei.co.th , Contact : sale@nissei.co.th , Tel : 038-522000-09 , Fax : 038-522390-1